

Plugs & Sockets

PRE Series: 16 A Plugs and Sockets – Increased Safety

ELV: Extra Low Voltage



Plug



Wall Mounting Socket



Mobile Socket



Flush Socket

20/25 Vac
 20/50 Vdc
 40/50 Vac

LV: Low Voltage



Plug



Wall Mounting Sockets



Mobile Socket



Flush Socket

100/130 Vac
 200/250 Vac
 380/415 Vac
 480/500 Vac
 50/500 Vac (300 to 500 Hz)

Compliance Data:

ATEX - IECEx:



Zone 1 & 2 – 21 & 22	ATEX	II 2 GD	IECEx	CE
Ex de IIC	T6 or T5	Ex tD A21	T68°C	IP66 – IK09/10

Amperage:

16 A				
------	--	--	--	--

Operating Temperature:

-40°C to +55°C				
----------------	--	--	--	--

Plugs & Sockets

PRE Series: 16 A Plugs and Sockets – Increased Safety

Zone 1 & 2 - 21 & 22

II 2 GD

ATEX / IECEx

IP66 - IK09/10

Applications:

- Plugs and sockets are used with portable or stationery electrical equipment such as lighting systems, conveyors, heaters, motor generators, air conditioning equipment, compressors and pumps.
- For use in corrosive atmospheres and installations in Zone 1 and 2 and 21 and 22 of the oil and gas industry; such as refineries, chemical and petrochemical plants, pipelines, loading docks and onshore and offshore drilling platforms.

Features:

- Plug and socket assembly is equipped with a patented silver-plated linear switch which allows a total disconnection of power when plug is removed:
 - The high voltage contact separation is in a flameproof chamber.
 - The automatic electrical disconnection of each phase is contained in a second flameproof chamber.
- Short circuit protection is 20 kA, while normal reference is 10 kA.
- Different voltages are color coded for easy identification.
- The sockets are keyed to accept only ATX plugs (other plugs can not be inserted).
- ATX plugs can be used in non-hazardous sockets.

Wall Mounting Sockets:

- Three M20 threaded entries (one on the top and two on the bottom).
- Supplied with one M20 cable gland (Ø 6.5 to Ø 14.5 mm) and two M20 blanking plugs.
- Terminal capacity 2 x 4 mm². Can be through-wired.
- Fitted with three linked earth terminals.

Plugs:

- One PG16 integrated cable gland (Ø 6.5 to Ø 14.5 mm).
- Terminal capacity 2.5 mm².

Mobile Sockets:

- One PG16 integrated cable gland (Ø 6.5 to Ø 14.5 mm).
- Terminal capacity 2 x 4 mm².

Flush Sockets:

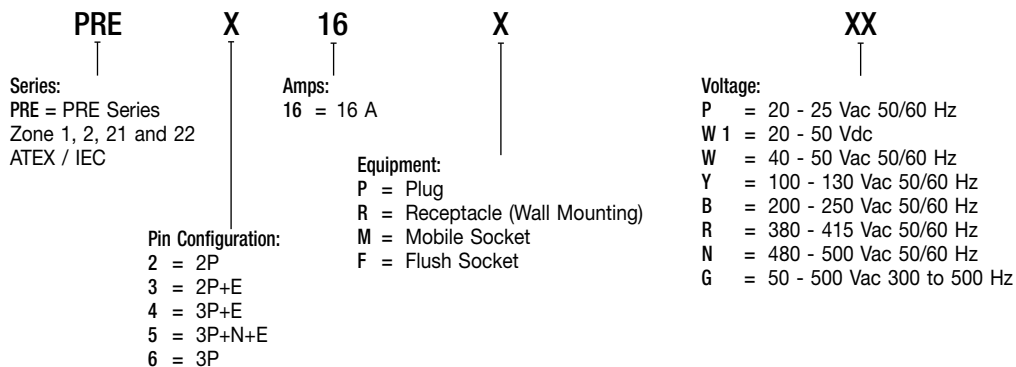
- Terminal capacity 2 x 4 mm².

Standard Material of Fixtures:

- High impact resistance polycarbonate.
- High impact resistance fiberglass reinforced polyester.
- Polyamide.

2P - 2P+E - 3P	
Wall Socket	Polycarbonate
Plug	Polyamide
Mobile Socket	Polyamide
Flush Socket	Polyamide
3P+E - 3P+N+E	
Wall Socket	Polyester
Plug	Polyamide
Mobile Socket	Polyamide
Flush Socket	Polyamide

Catalog Number Logic:



Plugs & Sockets

PRE Series: 16 A Plugs and Sockets – Increased Safety

Zone 1 & 2 - 21 & 22




II 2 GD

ATEX / IECEx

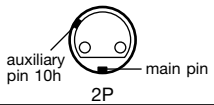
IP66 - IK09/10

Ordering Information:


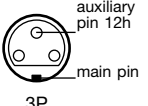
Extra Low Voltage: ELV
16 A – 20/25 Vac 50/60 Hz

Equipment	Pin Configuration	Weight (kg)	Volume (dm ³)	Catalog Number	Old Catalog Number	Pack
Wall Socket		0.6	3.8	PRE216RP	097379	1
Plug		0.2	0.6	PRE216PP	097360	1
Mobile Socket		0.4	1.3	PRE216MP	097365	1
Flush Socket		2P	0.2	1.3	PRE216FP	097355
Wall Socket		0.6	3.8	PRE316RP	097368	1
Plug		0.2	0.6	PRE316PP	097388	1
Mobile Socket		0.4	1.3	PRE316MP	097389	1
Flush Socket		2P+E	0.2	1.3	PRE316FP	097387
Wall Socket		0.6	3.8	PRE616RP	097366	1
Plug		0.2	0.6	PRE616PP	097361	1
Mobile Socket		0.4	1.3	PRE616MP	097382	1
Flush Socket		3P	0.2	1.3	PRE616FP	097385

16 A – 20/50 Vdc

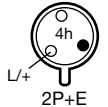
Equipment	Pin Configuration	Weight (kg)	Volume (dm ³)	Catalog Number	Old Catalog Number	Pack
Wall Socket		0.6	3.8	PRE216RW1	097354	1
Plug		0.2	0.6	PRE216PW1	097364	1
Mobile Socket		0.4	1.3	PRE216MW1	097369	1
Flush Socket		2P	0.2	1.3	PRE216FW1	097386

16 A – 40/50 Vac 50/60 Hz

Equipment	Pin Configuration	Weight (kg)	Volume (dm ³)	Catalog Number	Old Catalog Number	Pack
Wall Socket		0.6	3.8	PRE216RW	097352	1
Plug		0.2	0.6	PRE216PW	097362	1
Mobile Socket		0.4	1.3	PRE216MW	097367	1
Flush Socket		2P	0.2	1.3	PRE216FW	097383
Wall Socket		0.6	3.8	PRE616RW	097353	1
Plug		0.2	0.6	PRE616PW	097363	1
Mobile Socket		0.4	1.3	PRE616MW	097370	1
Flush Socket		3P	0.2	1.3	PRE616FW	097384

Low Voltage: LV

16 A – 100/130 Vac 50/60 Hz

Equipment	Pin Configuration	Weight (kg)	Volume (dm ³)	Catalog Number	Old Catalog Number	Pack
Wall Socket		0.6	3.8	PRE316RY	097419	1
Plug		0.2	0.6	PRE316PY	097430	1
Mobile Socket		0.4	1.3	PRE316MY	097400	1
Flush Socket		2P+E	0.2	1.3	PRE316FY	097410

Plugs & Sockets

PRE Series: 16 A Plugs and Sockets – Increased Safety

Zone 1 & 2 - 21 & 22

II 2 GD

ATEX / IECEx

IP66 - IK09/10

Ordering Information – Continued:

Low Voltage: LV

16 A – 200/250 Vac 50/60 Hz

Equipment	Pin Configuration	Weight (kg)	Volume (dm ³)	Catalog Number	Old Catalog Number	Pack
Wall Socket		0.6	3.8	PRE316RB	097426	1
Plug		0.2	0.6	PRE316PB	097433	1
Mobile Socket		0.4	1.3	PRE316MB	097401	1
Flush Socket		0.2	1.3	PRE316FB	097413	1
Wall Socket		1.5	4.7	PRE416RB	097424	1
Plug		0.2	0.6	PRE416PB	097434	1
Mobile Socket		0.6	4.0	PRE416MB	097403	1
Flush Socket		0.2	1.3	PRE416FB	097414	1
Wall Socket		1.6	4.7	PRE516RB	097425	1
Plug		0.3	1.3	PRE516PB	097435	1
Mobile Socket		0.6	4.0	PRE516MB	097407	1
Flush Socket		0.2	1.3	PRE516FB	097415	1

16 A – 380/415 Vac 50/60 Hz

Equipment	Pin Configuration	Weight (kg)	Volume (dm ³)	Catalog Number	Old Catalog Number	Pack
Wall Socket		1.5	4.7	PRE416RR	097427	1
Plug		0.2	0.6	PRE416PR	097437	1
Mobile Socket		0.6	4.0	PRE416MR	097404	1
Flush Socket		0.3	1.3	PRE416FR	097417	1
Wall Socket		1.6	4.7	PRE516RR	097428	1
Plug		0.3	1.3	PRE516PR	097438	1
Mobile Socket		0.6	4.0	PRE516MR	097408	1
Flush Socket		0.3	1.3	PRE516FR	097418	1

16 A – 480/500 Vac 50/60 Hz

Equipment	Pin Configuration	Weight (kg)	Volume (dm ³)	Catalog Number	Old Catalog Number	Pack
Wall Socket		1.5	4.7	PRE416RN	097441	1
Plug		0.2	0.6	PRE416PN	097451	1
Mobile Socket		0.6	4.0	PRE416MN	097409	1
Flush Socket		0.3	1.3	PRE416FN	097421	1

16 A – 50/500 Vac 300/500 Hz

Equipment	Pin Configuration	Weight (kg)	Volume (dm ³)	Catalog Number	Old Catalog Number	Pack
Wall Socket		1.6	4.7	PRE516RG	097429	1
Plug		0.2	0.6	PRE516PG	097439	1
Mobile Socket		0.6	4.0	PRE516MG	097411	1
Flush Socket		0.3	1.3	PRE516FG	097423	1

(1) 120/208 V - 144/250 Vac 50/60 Hz

(2) 200/346 V - 240/415 Vac 50/60 Hz

Plugs & Sockets

PRE Series: 16 A Plugs and Sockets – Increased Safety



Zone 1 & 2 - 21 & 22

⊕ II 2 GD

ATEX / IECEx

IP66 - IK09/10

Accessories:

	Catalog Number	Old Catalog Number	Pack
 M5 earth stud via M20 blanking plug	PREESTM20	095748	1
 Earth continuity adaptor via M20 blanking plug	PREECAM20	095743	1

Technical Data:

Breaking Capacity		Wall Sockets	Plugs	Mobile Sockets	Flush Sockets
AC 3	4 kW – 220 V 4.3 kW – 240 V 7.5 kW – 380 V 8.2 kW – 415 V	Termination 2 x 4 mm ²	2.5 mm ²	2 x 4 mm ²	2 x 4 mm ²
ICC	20 kA	Cable Entries 3 x M20 with 1 x cable gland (dia. 6.5 to 14.5 mm) and 2 blanking plugs	1 x PG16 integrated cable gland (dia. 6.5 to 14.5 mm)	1 x PG16 integrated cable gland (dia. 6.5 to 14.5 mm)	N.A.

Compliances:

Hazardous Area	Gas		Dust	
	PCX	PCX/EN	PCX	PCX/EN
Equipment	Wall and Mobile Sockets and Plug	Flush Socket	Wall and Mobile Sockets and Plug	Flush Socket
Zones	1 – 2		21 – 22	
Conforming to ATEX 94/9/CE	CE 0081 ⊕ II 2 G		CE 0081 ⊕ II 2 D	
Symbol of Protection ATEX	Ex de IIC		Ex tD A21	
Symbol of Protection IEC				
T Rating	T6 for Ta ≤ +40°C T5 for Ta ≤ +55°C		N.A.	
Surface Temperature	N.A.		T68°C	
Ambient Temperature	-40°C ≤ Ta ≤ +55°C			
CE Declaration of Conformity	50228	5C214	50228	5C214
ATEX Certificate	LCIE 02 ATEX 6068	LCIE 02 ATEX 0001U	LCIE 02 ATEX 6068	LCIE 02 ATEX 0001U
IECEx Certificate	IECEx LCI 04.0014	IECEx LCI 04.0012	IECEx LCI 04.0014	IECEx LCI 04.0012
Other Certifications	GOST	GOST	GOST	GOST
Ingress Protection (solid and liquid)	IP66			
Impact Resistance (shock)	IK10 (Polyester) and IK09 (Polyamide)			

Standards:

Ex Standards	EN / IEC 60079-0; 60079-1; 60079-7; 61241-0; 61241-1
Product Standards	EN / IEC 60309-1; 60309-2
EMC Standards	–
Other Standards	EN / IEC 60529 (IP); 62262 (IK)

Plugs & Sockets

PRE Series: 16 A Plugs and Sockets – Increased Safety

Zone 1 & 2 - 21 & 22

Ex II 2 GD

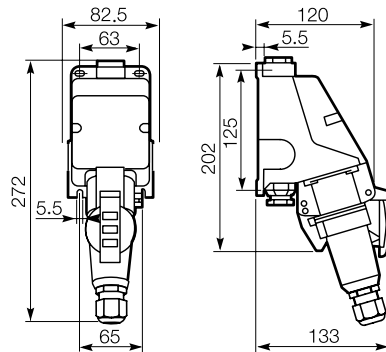
ATEX / IECEx

IP66 - IK09/10

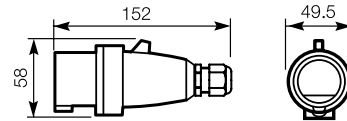
Dimensions (mm):

16A – 2P – 2P+E – 3P Versions

Wall Mounting Sockets

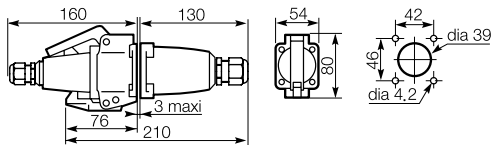


Plugs

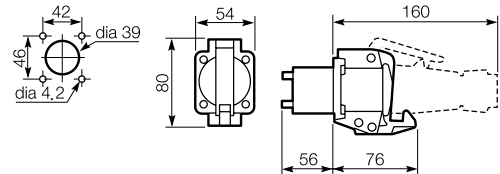


Mobile Sockets

Can be mounted on panel - 3 mm thickness maximum

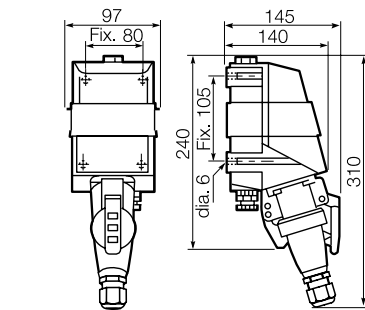


Flush Sockets

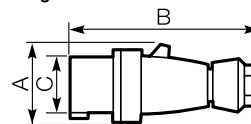


16A – 3P+E – 3P+N+E Versions

Wall Mounting Sockets



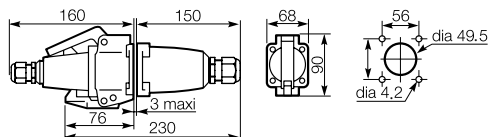
Plugs



	A	B	C
3 P + E	66	154	55.5
3 P + N + E	73	166	62

Mobile Sockets

Can be mounted on panel - 3 mm thickness maximum



Flush Sockets

